

# LIMPAR®



## Ersatzteilliste

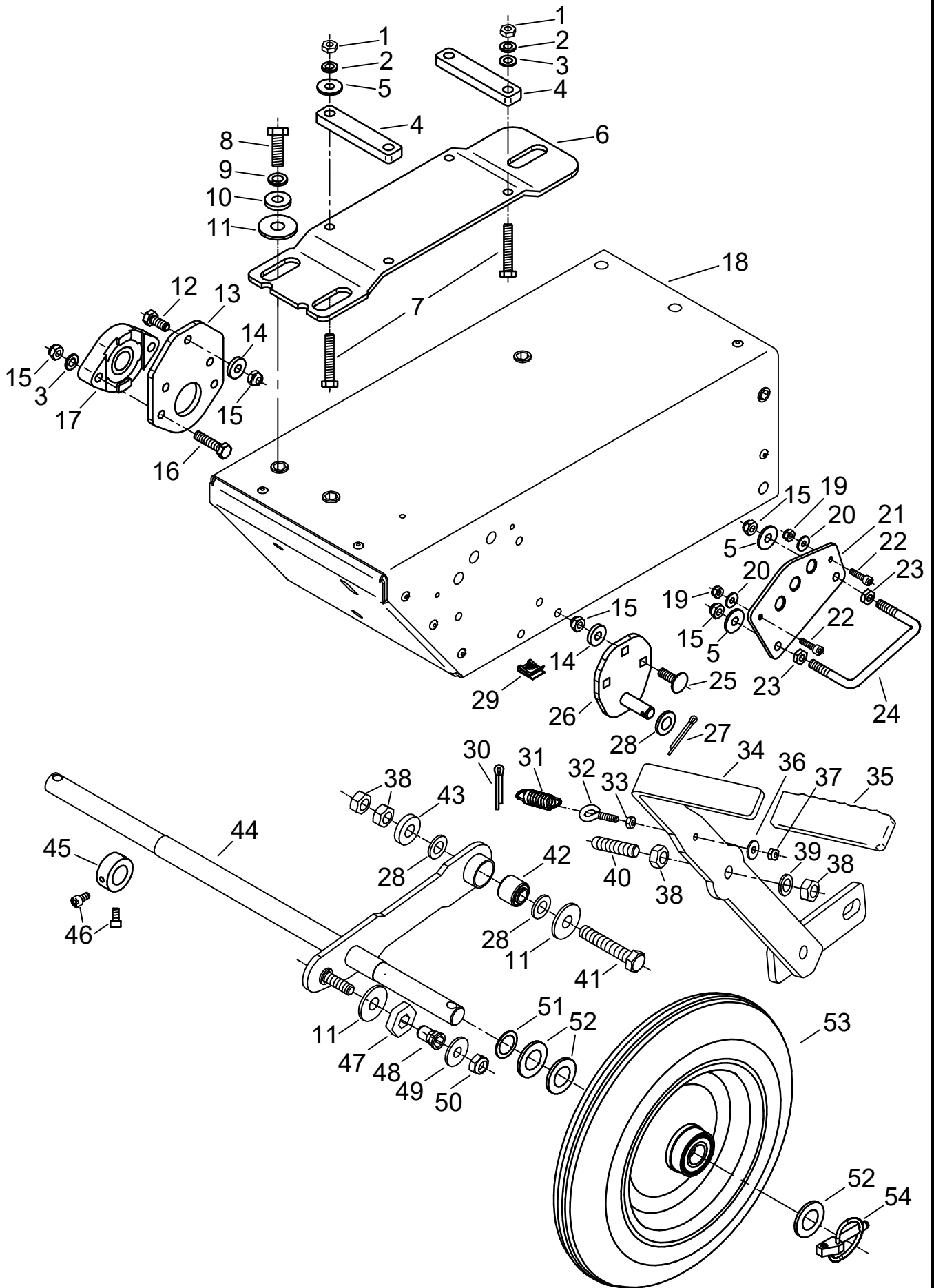
Wildkrautbürste

### TAIFUN

4F Maschinentechnik GmbH / Am Gasspeicher 6 / 49453 Rehden  
Fon: 05446 / 99 70 40, Fax: 05446 / 99 70 42, E-Mail: info@4-f.de

4KM-WH-A1 Änd.-Stand: b

[www.limpar.de](http://www.limpar.de)



| Pos. | Artikel-Nr. | Bezeichnung          | Pos.                           | Artikel-Nr. | Bezeichnung          |
|------|-------------|----------------------|--------------------------------|-------------|----------------------|
| 1    | 4HR-A08 Z   | Mutter M8            | 38                             | 4HR-A12 Z   | Mutter M12           |
| 2    | 4HW-F08 Z   | Federring M8         | 39                             | 4HW-F12 Z   | Federring M12        |
| 3    | 4HW-A08 Z   | Scheibe Ø8,4         | 40                             | 4KC-B104 Z  | Rastbolzen WH        |
| 4    | 4DA-M23 Z   | M-Beilage WH         | 41                             | 4HO-C61 Z   | 6kt.-Schraube M12x65 |
| 5    | 4HW-B08 Z   | Scheibe, groß Ø8,4   | 42                             | 4HK-S01     | Silentblock          |
| 6    | 4DA-H340 Z  | M-Konsole WH         | 43                             | 4HW-D12 Z   | Scheibe, dick Ø13    |
| 7    | 4HO-C19 Z   | 6kt.-Schraube M8x45  | 44                             | FWH-102 Z   | Fahrachse WH         |
| 8    | 4HO-A25 Z   | 6kt.-Schraube M10x30 | 45                             | 4KC-A03 Z   | Stellring 20         |
| 9    | 4HW-F10 Z   | Federring M10        | 46                             | 4HO-G07 Z   | Inbusschraube M6x12  |
| 10   | 4HW-D10 Z   | Scheibe, dick Ø10,5  | 47                             | 4DA-L33 Z   | Stellscheibe         |
| 11   | 4HW-B12 Z   | Scheibe, groß Ø13    | 48                             | 4KC-A149 Z  | Nietmutter M10       |
| 12   | 4HO-C17 Z   | 6kt.-Schraube M8x35  | 49                             | 4HW-B10 Z   | Scheibe, groß Ø10,5  |
| 13   | 4DA-i50 Z   | Flanschplatte WH     | 50                             | 4HR-C10 Z   | Stoppmutter M10      |
| 14   | 4HW-D08 Z   | Scheibe, dick Ø8,4   | 51                             | 4HW-P50     | Paßscheibe Ø20x1     |
| 15   | 4HR-C08 Z   | Stoppmutter M8       | 52                             | 4HW-A20 Z   | Scheibe Ø21          |
| 16   | 4HO-A14 Z   | 6kt.-Schraube M8x20  | 53                             | 4HN-G30     | VG-Rad WH            |
| 17   | 4KC-B67 X   | Flanschlager EBS 20  | 54                             | 4AZ-801     | Klappsplint 8/32     |
| 18   | FWH-100 R   | Gehäuse WH           |                                |             |                      |
| 19   | 4HR-C05 Z   | Stoppmutter M5       |                                |             |                      |
| 20   | 4HW-B05 Z   | Scheibe, groß Ø5,2   |                                |             |                      |
| 21   | 4DA-G228 V  | Rastmaske            |                                |             |                      |
| 22   | 4HO-G04 Z   | Inbusschraube M5x20  |                                |             |                      |
| 23   | 4HR-B08 Z   | Mutter, flach M8     |                                |             |                      |
| 24   | 4DC-D37 Z   | Fangbügel            |                                |             |                      |
| 25   | 4HO-i15 Z   | Schloßschr. M8x25    |                                |             |                      |
| 26   | FWH-105 Z   | Hebellager           |                                |             |                      |
| 27   | 4HZ-E25 Z   | Splint Ø3,2x25       |                                |             |                      |
| 28   | 4HW-A12 Z   | Scheibe Ø13          |                                |             |                      |
| 29   | 4HR-F06     | Blechmutter für Ø6,3 |                                |             |                      |
| 30   | 4HZ-G25 Z   | Splint Ø5x25         |                                |             |                      |
| 31   | 4Hi-A08 Z   | Zugfeder MS          |                                |             |                      |
| 32   | 4KC-A153    | Ringöse M6x20        |                                |             |                      |
| 33   | 4HR-A06 Z   | Mutter M6            |                                |             |                      |
| 34   | FWH-104     | Höhen-Stellhebel     |                                |             |                      |
| 35   | 4HJ-G09     | Tauchgriff           |                                |             |                      |
| 36   | 4HW-B06 Z   | Scheibe, groß Ø6,3   |                                |             |                      |
| 37   | 4HR-C06 Z   | Stoppmutter M6       | 4KE-WH Änd-Stand: c-April-2020 |             |                      |

